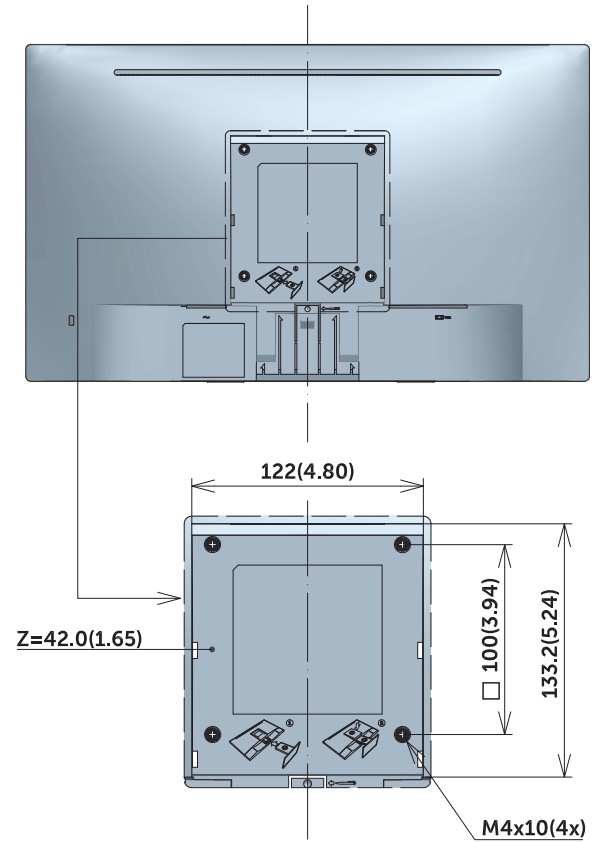
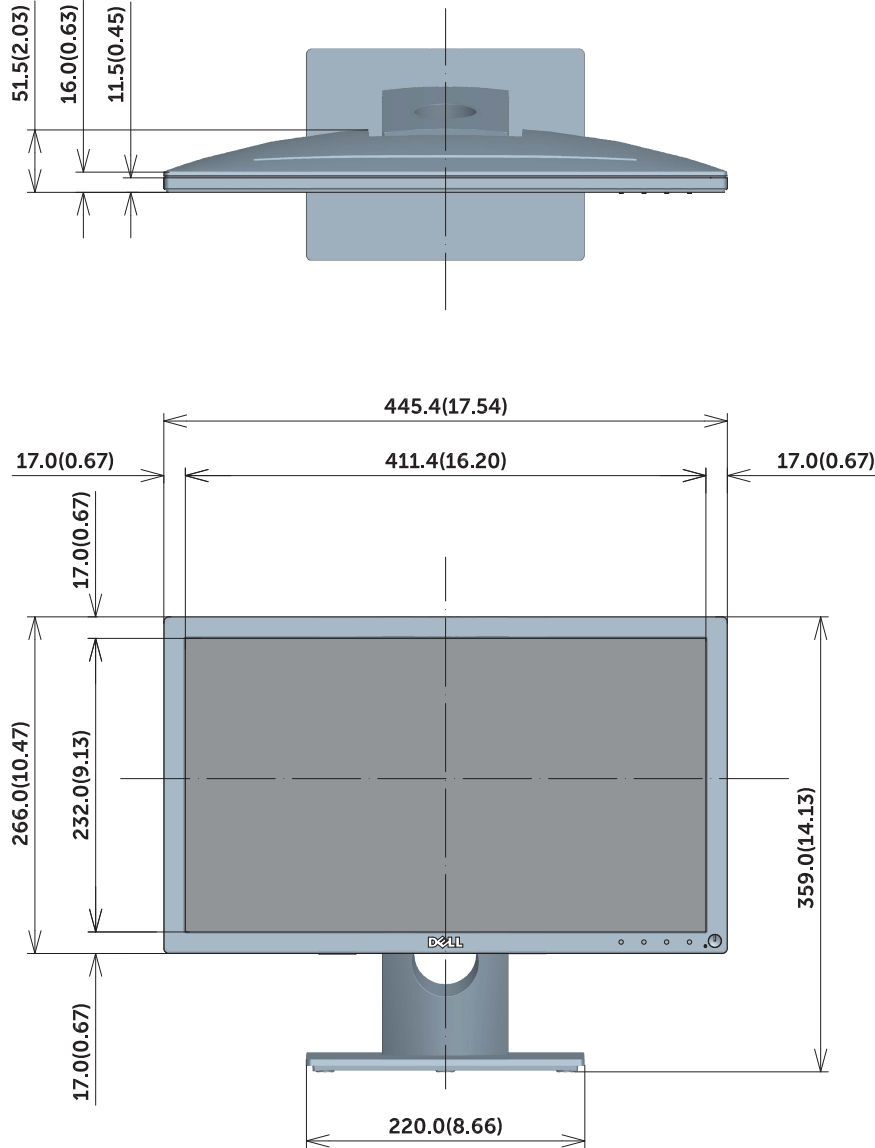


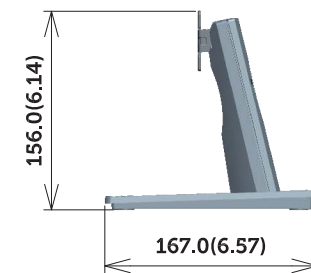
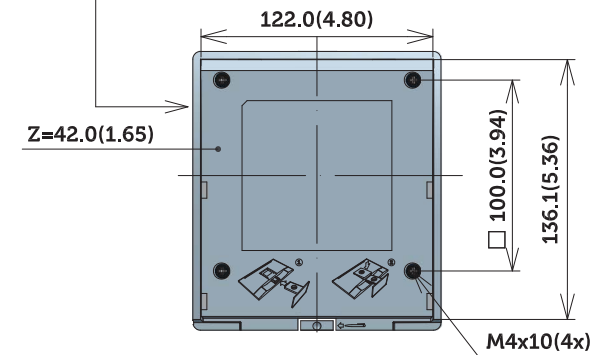
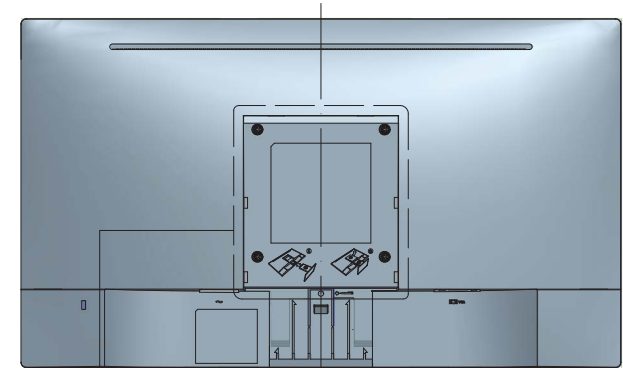
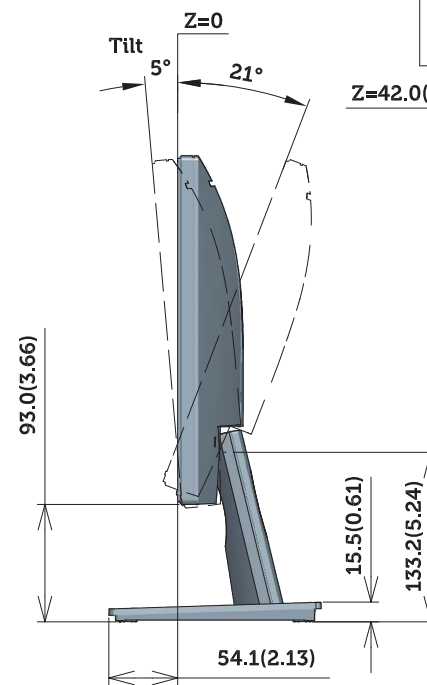
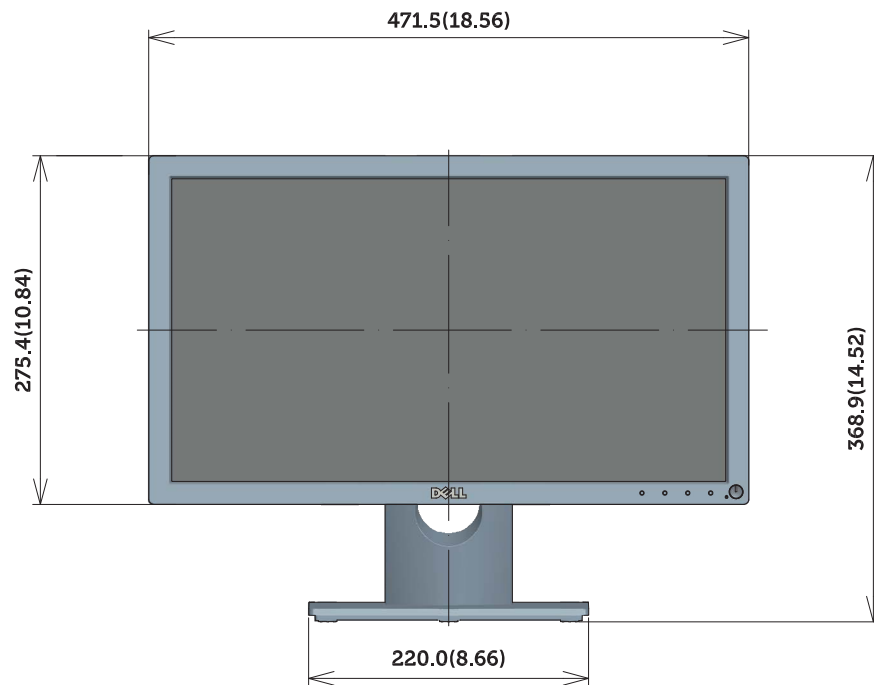
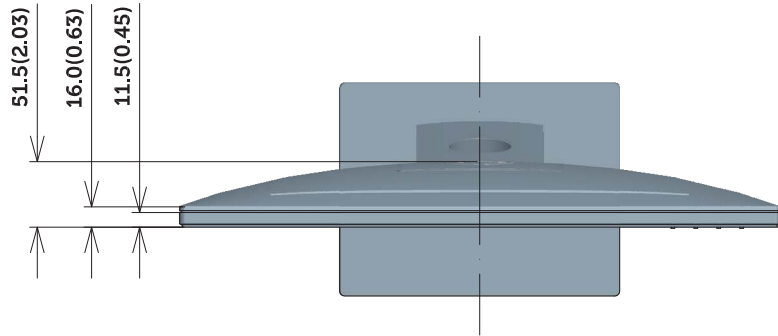
# SE1918HV Outline Dimension

Unit : mm(inch)  
 Dimension : Nominal  
 Drawing : Not to scale



# SE2018HV/SE2018HR Outline Dimension

Unit : mm(inch)  
 Dimension : Nominal  
 Drawing : Not to scale



# SE2218HV Outline Dimension

Unit : mm(inch)  
 Dimension : Nominal  
 Drawing : Not to scale

